



LEARNER NAME	
---------------------	--

GRADE	
--------------	--

NATIONAL SENIOR CERTIFICATE

MATHEMATICS P2

GRADE 12

TRIAL EXAMINATIONS 2015

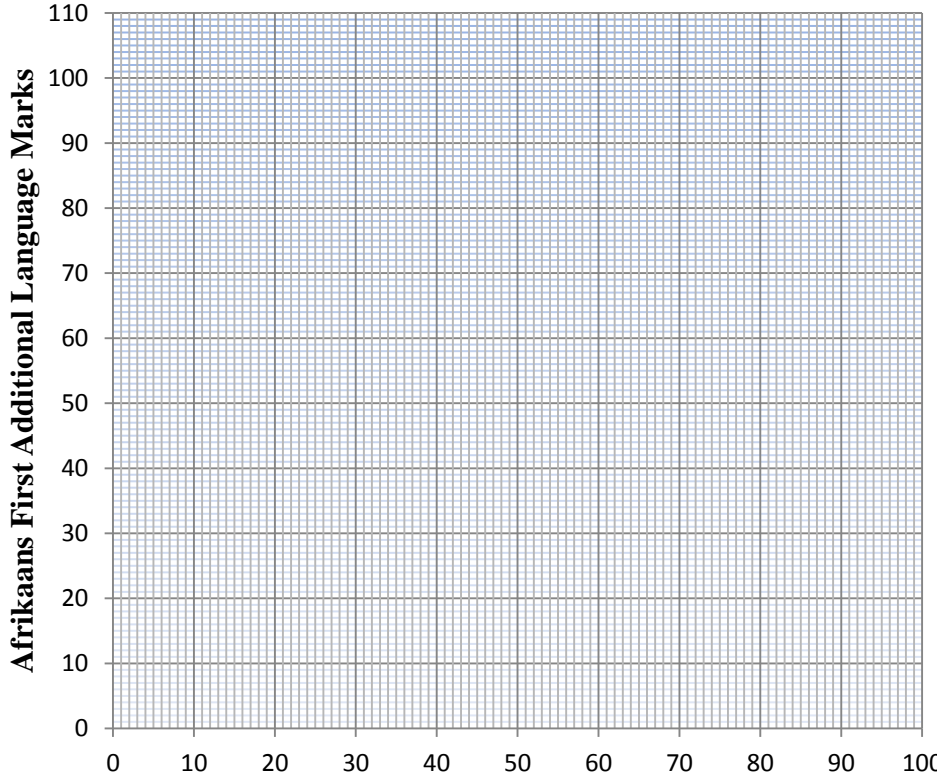
SPECIAL ANSWER BOOK

QUESTION	MARK	INITIAL	MOD.
1			
2			
3			
4			
5			
6			
7			
8			
9			
10			
11			
TOTAL			



This answerbook consists of 17 pages.

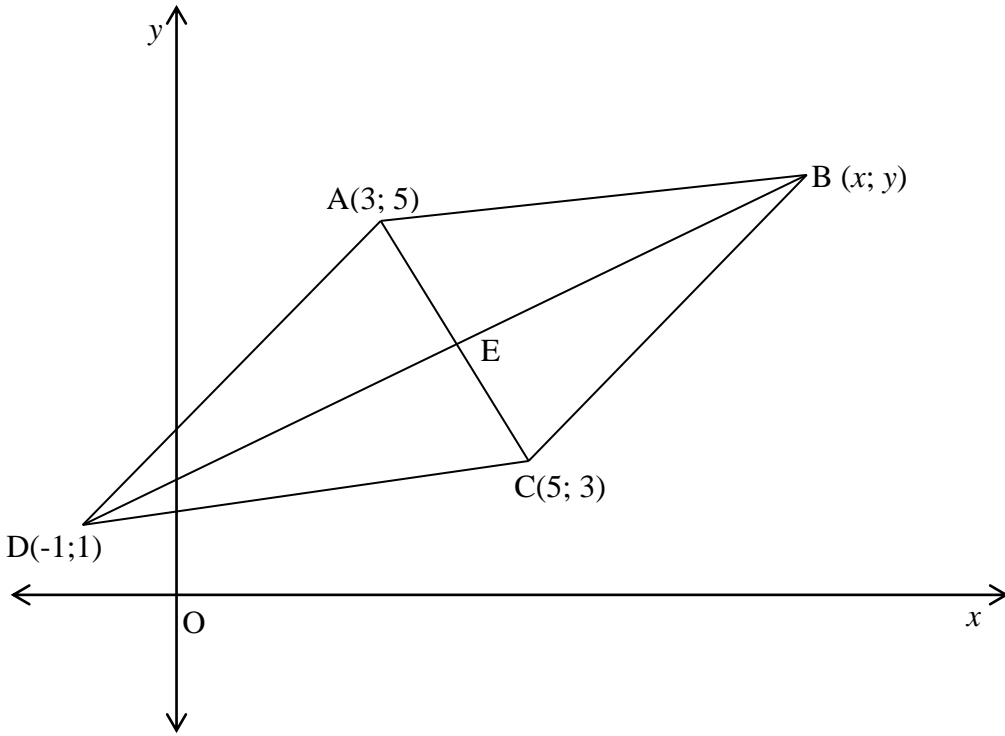
QUESTION 1

	Solution	Marks																						
1.1	<table border="1" data-bbox="252 342 1241 528"> <tr> <td>English HL</td> <td>42</td> <td>54</td> <td>85</td> <td>32</td> <td>63</td> <td>71</td> <td>92</td> <td>62</td> <td>58</td> <td>66</td> </tr> <tr> <td>Afrikaans FAL</td> <td>50</td> <td>58</td> <td>80</td> <td>45</td> <td>60</td> <td>65</td> <td>98</td> <td>75</td> <td>71</td> <td>58</td> </tr> </table> <div data-bbox="252 528 1257 1458"> <p style="text-align: center;">Scatter Plot for English HL and Afrikaans FAL Marks</p>  </div>	English HL	42	54	85	32	63	71	92	62	58	66	Afrikaans FAL	50	58	80	45	60	65	98	75	71	58	
English HL	42	54	85	32	63	71	92	62	58	66														
Afrikaans FAL	50	58	80	45	60	65	98	75	71	58														
		(4)																						
1.2																								
1.3		(3)																						
1.4		(2)																						
		(1)																						
1.5																								
		(2)																						
		[12]																						

QUESTION 2

	Solution	Marks
2.1		
		(3)
2.2.1		
		(1)
2.2.2		
		(2)
2.2.3		
		(2)
2.3		
		(2)
		[10]

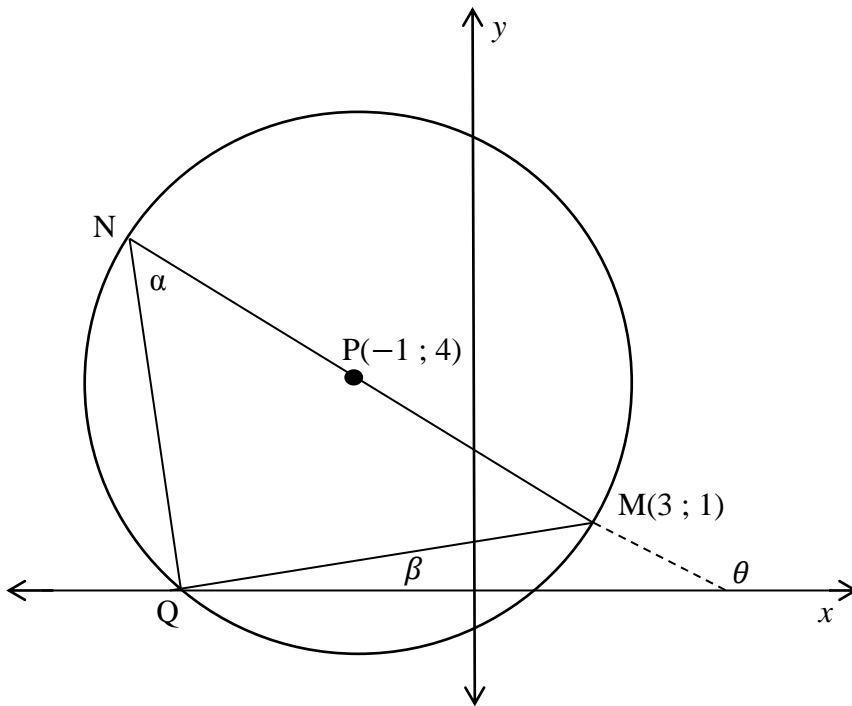
QUESTION 3



Solution		Marks
3.1	3.1.1	
		(2)
	3.1.2	
		(3)
	3.1.3	
		(5)

3.2		
		(4)
3.3		
		(5)
		[19]

QUESTION 4



	Solution	Marks
4.1		(4)
4.2		(1)
4.3		(3)
4.4		(2)

4.5		
	(5)	
4.6		
	(5)	
	[20]	

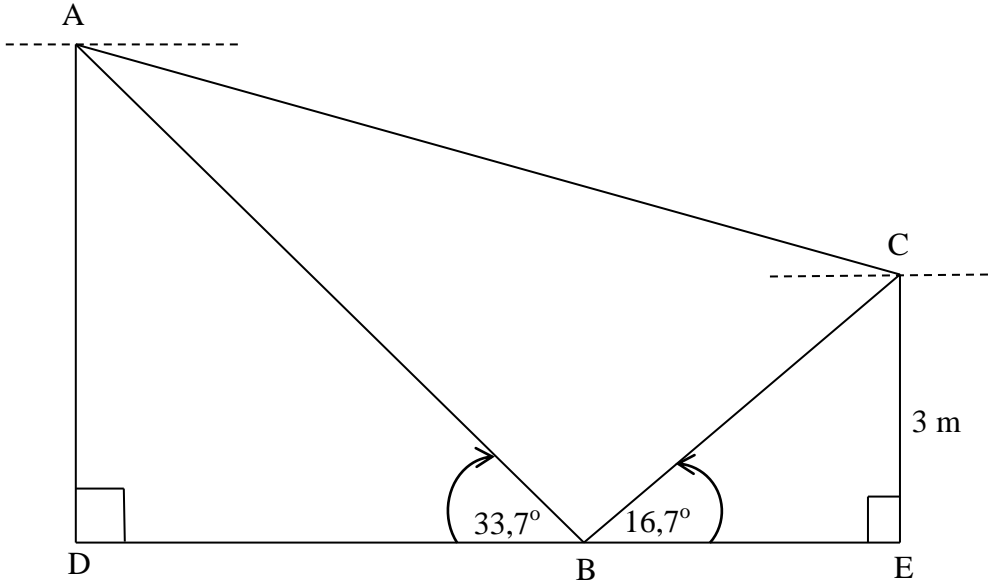
QUESTION 5

	Solution	Marks
5.1		
		(4)
5.2		
		(7)
5.3		
		(3)

QUESTION 6

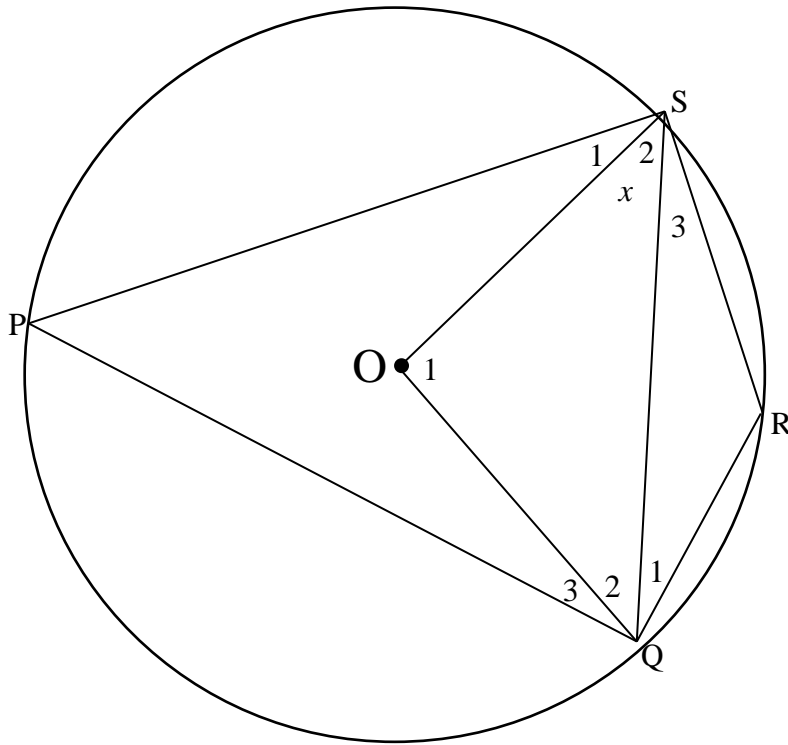
Solution		Marks
6.1		
		(1)
6.2		
		(6)
6.3	6.3.1	
		(2)
	6.3.2	
		(2)
6.4		
		(2)
		[13]

QUESTION 7

	Solution	Marks
7.1		
	<hr/> <hr/> <hr/> <hr/> <hr/> <hr/> <hr/> <hr/>	(3)

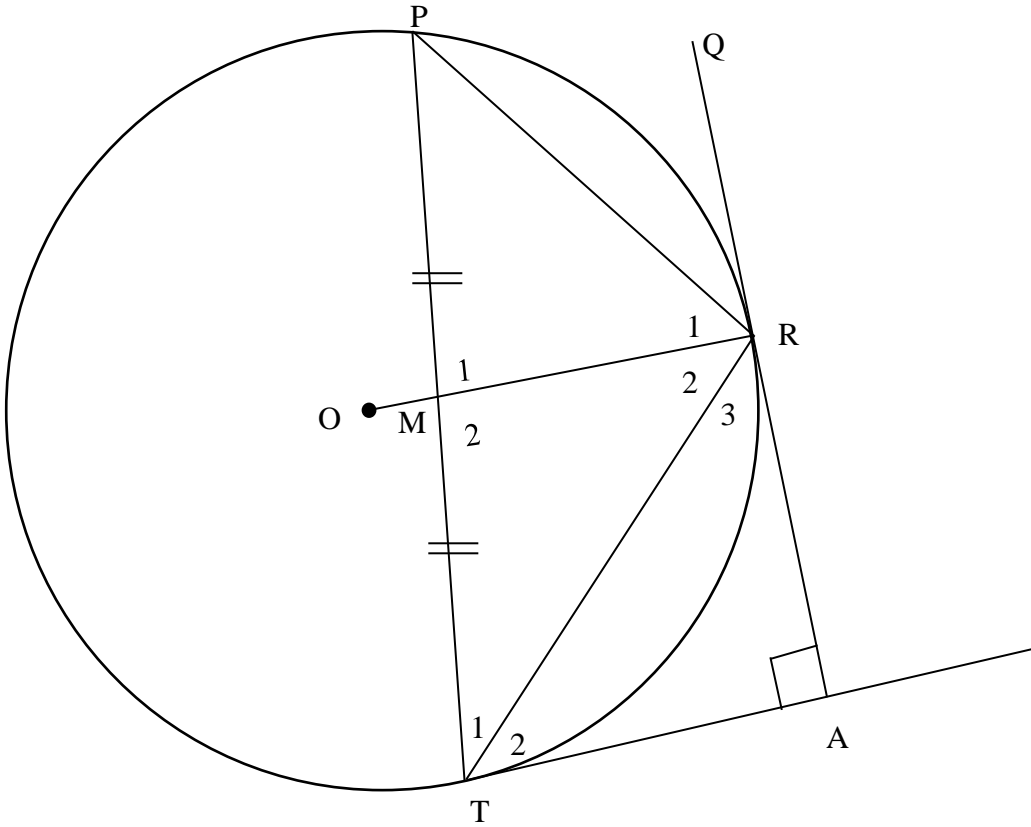
7.2		
		(3)
7.3		
		(3)
		[9]

QUESTION 8



		Solution	Marks
8.1	8.1.1		
			(2)
	8.1.2		
			(2)
	8.1.3		
			(2)
8.2			
			(3)
			[9]

QUESTION 9



	Solution	Marks
9.1		
		(4)
9.2		
		(5)
9.3		
		(3)
		[12]

QUESTION 10

Solution		Marks
10.1		
		(1)
10.2		
	10.2.1	
		(3)
	10.2.2	
		(3)
	10.2.3	
		(4)
		[11]

